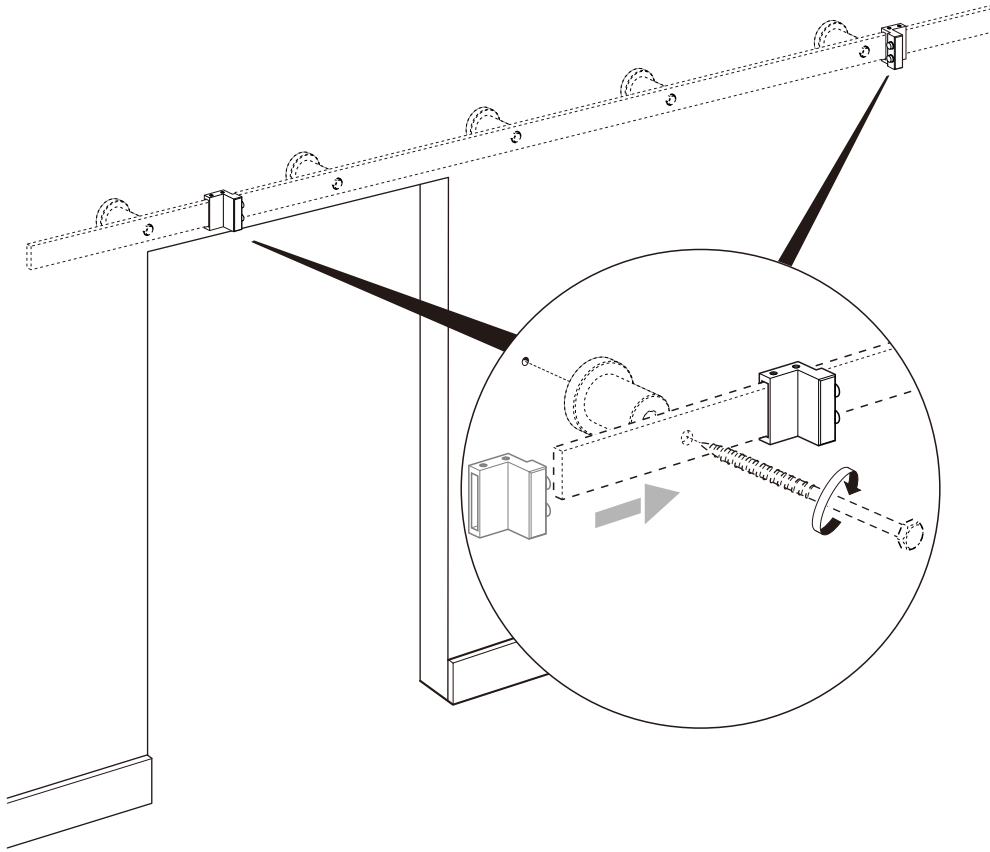
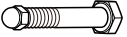
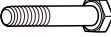


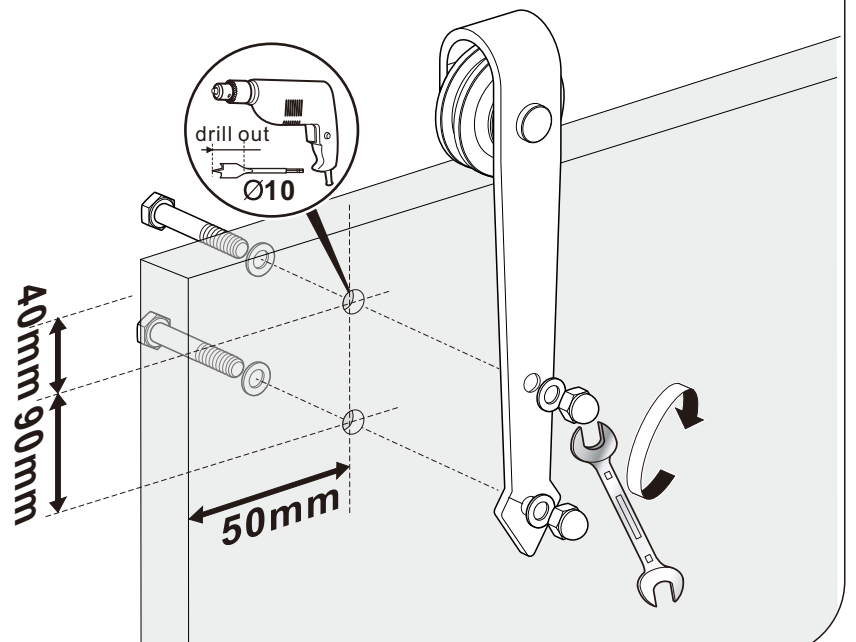
Installation Manual

1

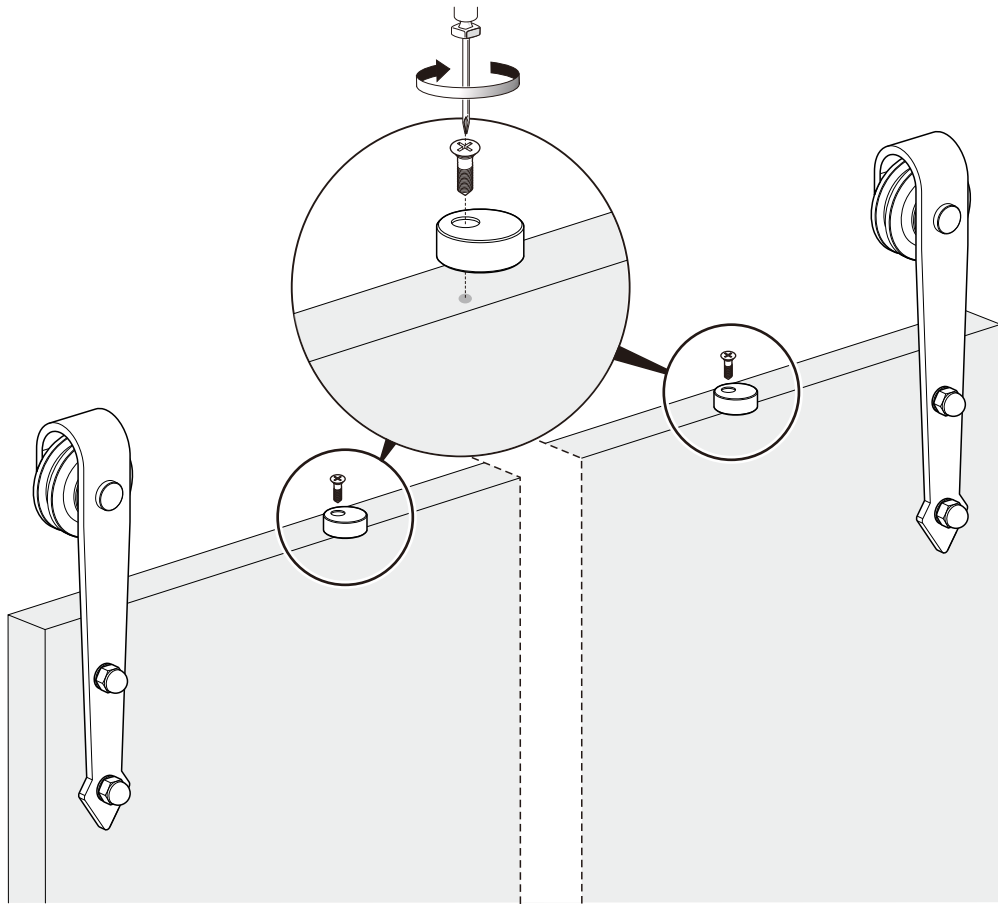


2

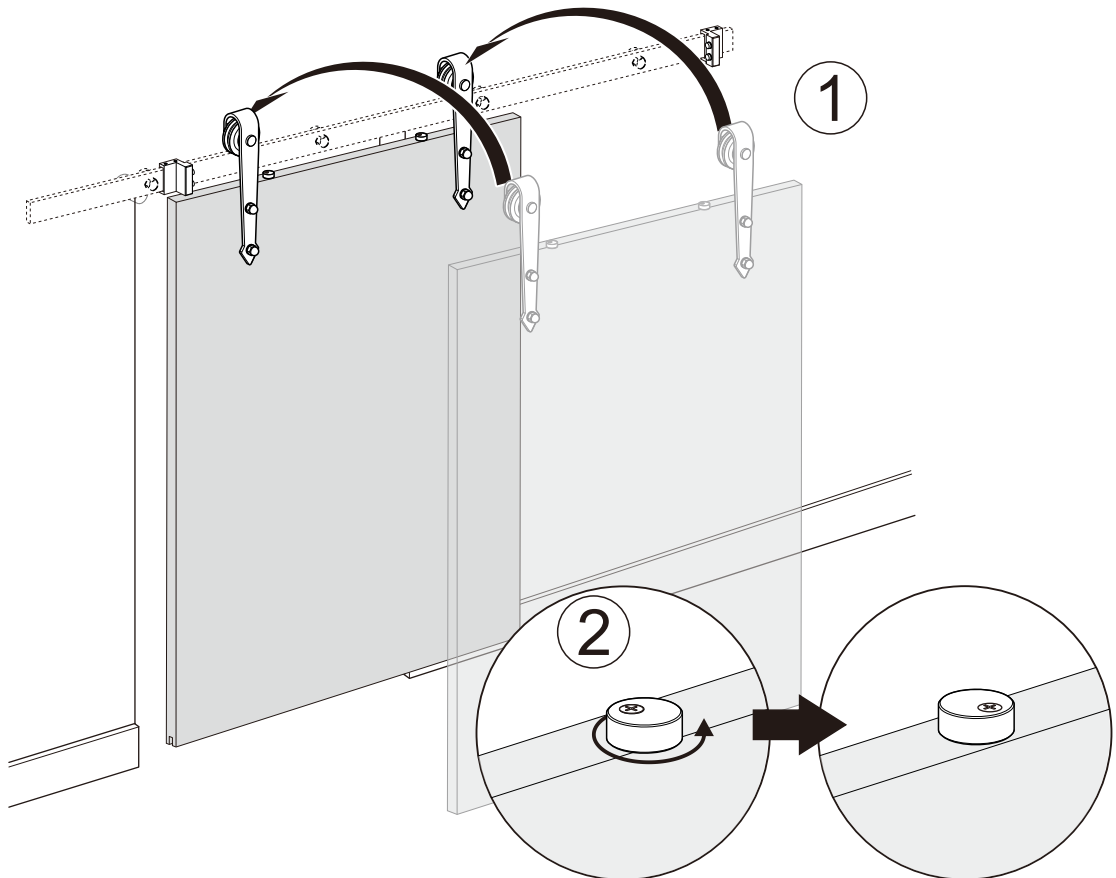
-  M10x55 (x 4)
bolts for 35-40mm door
-  M10x60 (x 4)
bolts for 40-45mm door



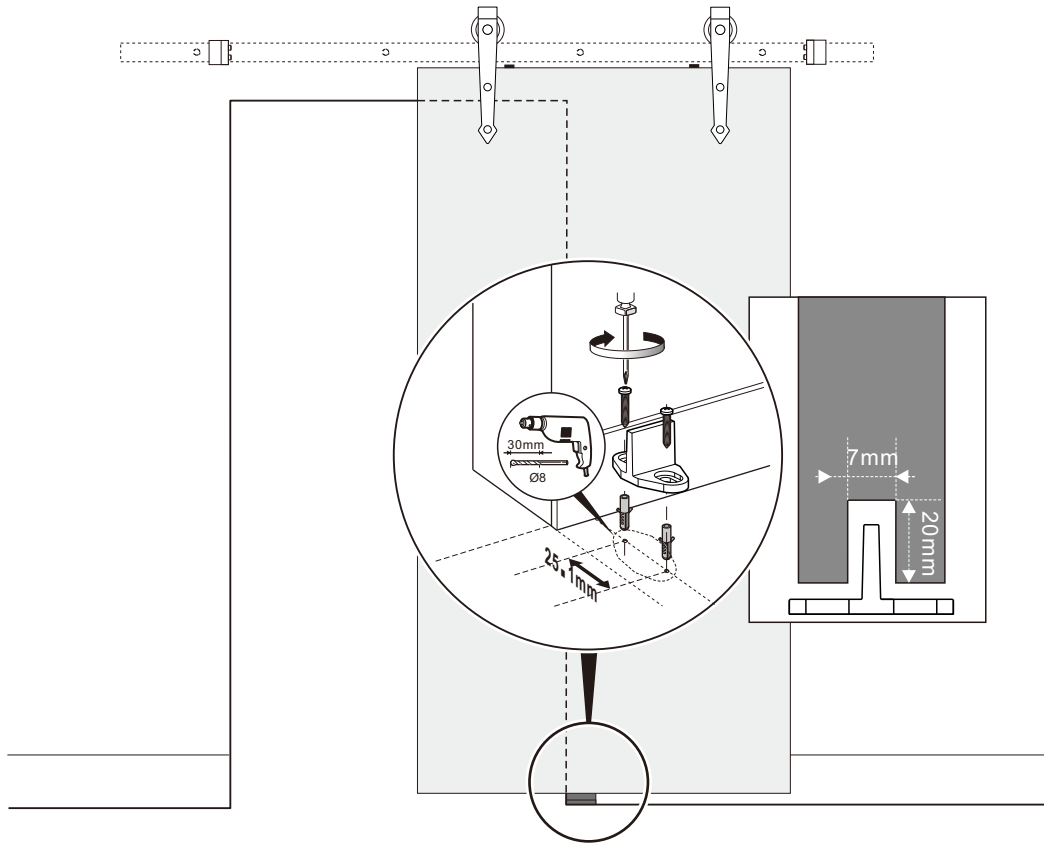
3



4



5



6

