

ALBERGO TM-SC -MOUNTING INSTRUCTIONS



Hardware set for 1 wood door

Item no. 89TY050S2560170

Includes:

Trolleys

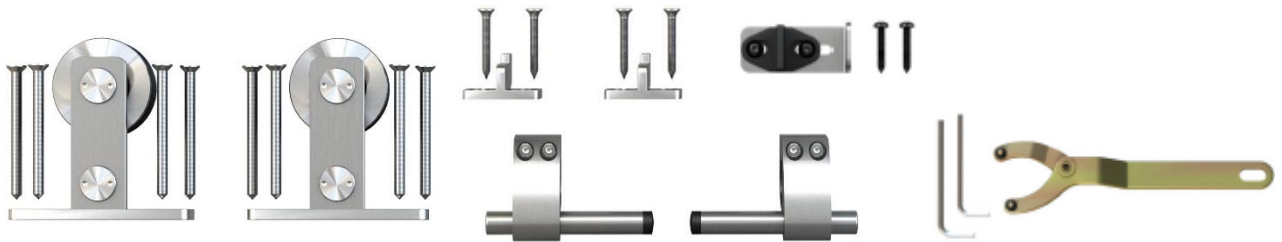
Stoppers (left & right)

Activator for Soft Close

Wall/Floor guide

Hex Keys

Spanner Wrench



TECHNICAL DATA

Door Thickness: 35 to 45mm (1 3/8" – 1 3/4")

Weight Capacity per Door: max. 80 kg (176 lbs)

Trolley Type: Ball Bearing

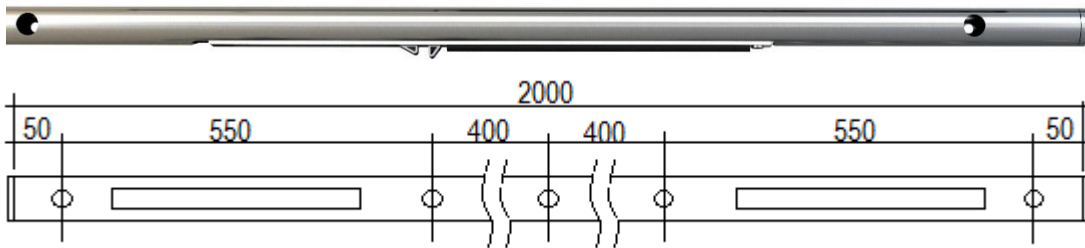
Track & Hardware Finish: Stainless Steel

NOTES

The ALBERGO sliding systems is designed for interior use only. The finish is not guaranteed in exterior applications, marine and polluted environments.

The intention for this document is to provide a guide for installation and assembly. The Contractor is responsible to determine what is best for the application.

2.0 meter Track Set



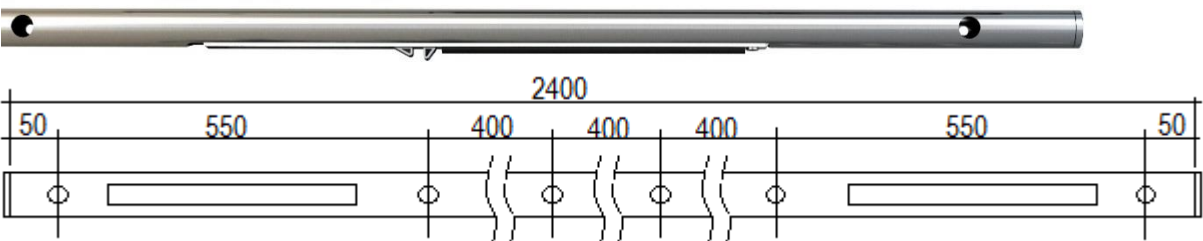
Item no. 89TY482MSF170S

2.0m (78 3/4") Track set with 5 mounts & spacers

Includes:

- 1) 2.0M (78 3/4") Pre-Drilled Round Track
- 2) Soft Close Mechanisms
- 5) Wall Mount Stand-offs
- 5) 6mm x 50mm Shims
- 5) 130mm (5 1/8") fastener screws and collars

2.4 meter Track Set



Item no. 89TY4724MSF170S

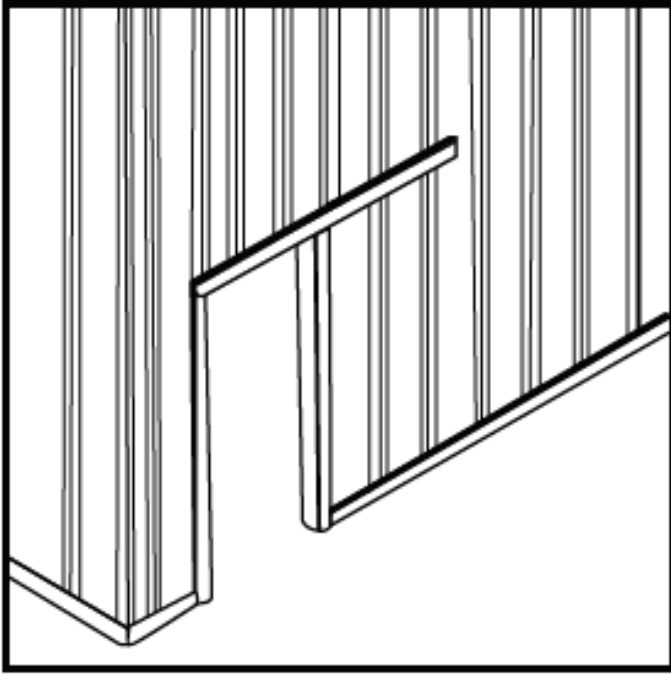
2.4m (94 1/2") Track set with 6 mounts & spacers

Includes:

- 1) 2.4M (94 1/2") Pre-Drilled Round Track
- 2) Soft Close Mechanisms
- 6) Wall Mount Stand-offs
- 6) 6mm x 50mm Shims
- 6) 130mm (5 1/8") fastener screws and collars

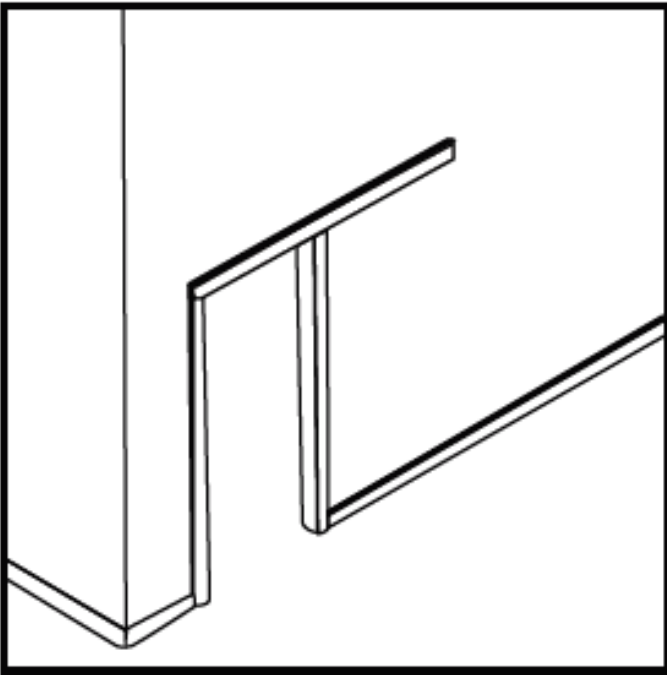
WALL PREPARATION:

Track **MUST** be securely mounted to solid blocking



New Construction:

- Add a 2x8 minimum solid wood header for entire length of the Track/Rail
- Validate with Local Building Code



Existing Construction:

- Continuous Solid Wood Blocking must be installed along the entire length of the Track/Rail
- Validate with Local Building Code

APPLICATION: MOUNTING TRACK USING WALL SUPPORT DISCS

Drywall/Gypsum Board

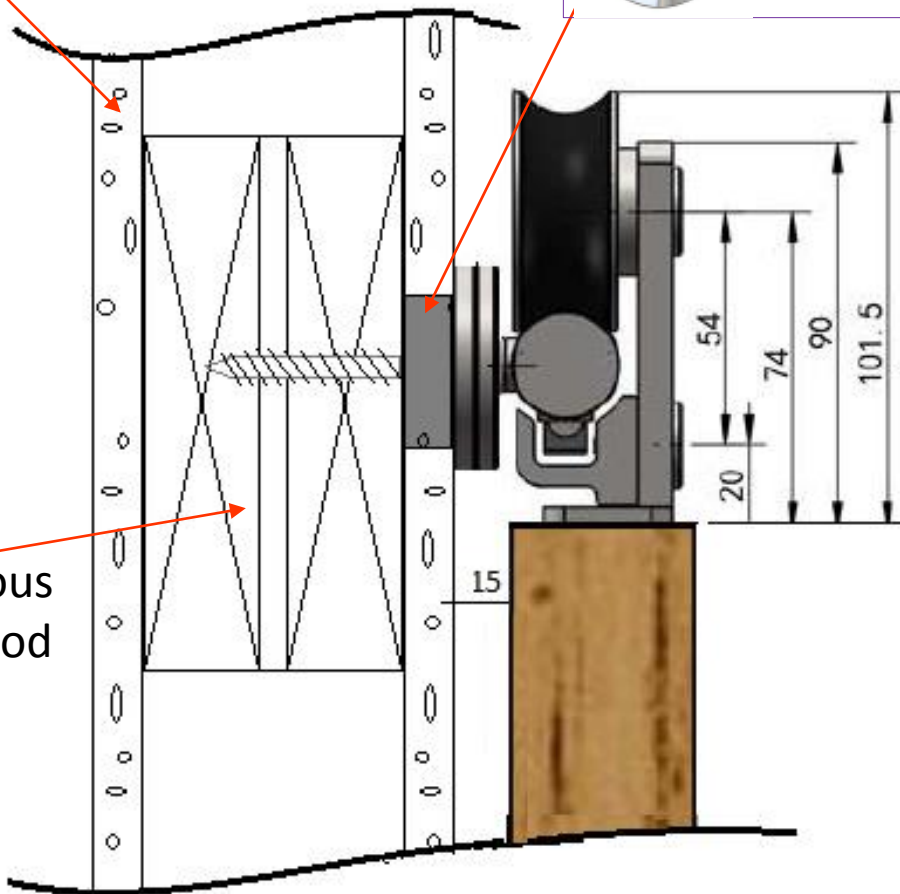
Continuous
Solid Wood
Header



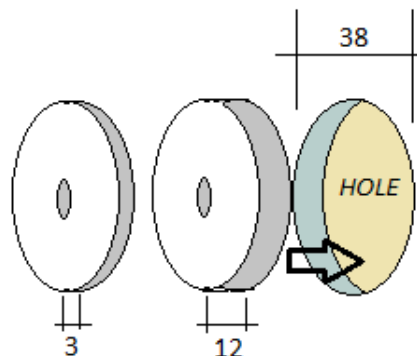
Item no. 89TY030170
Internal Wall Support Set



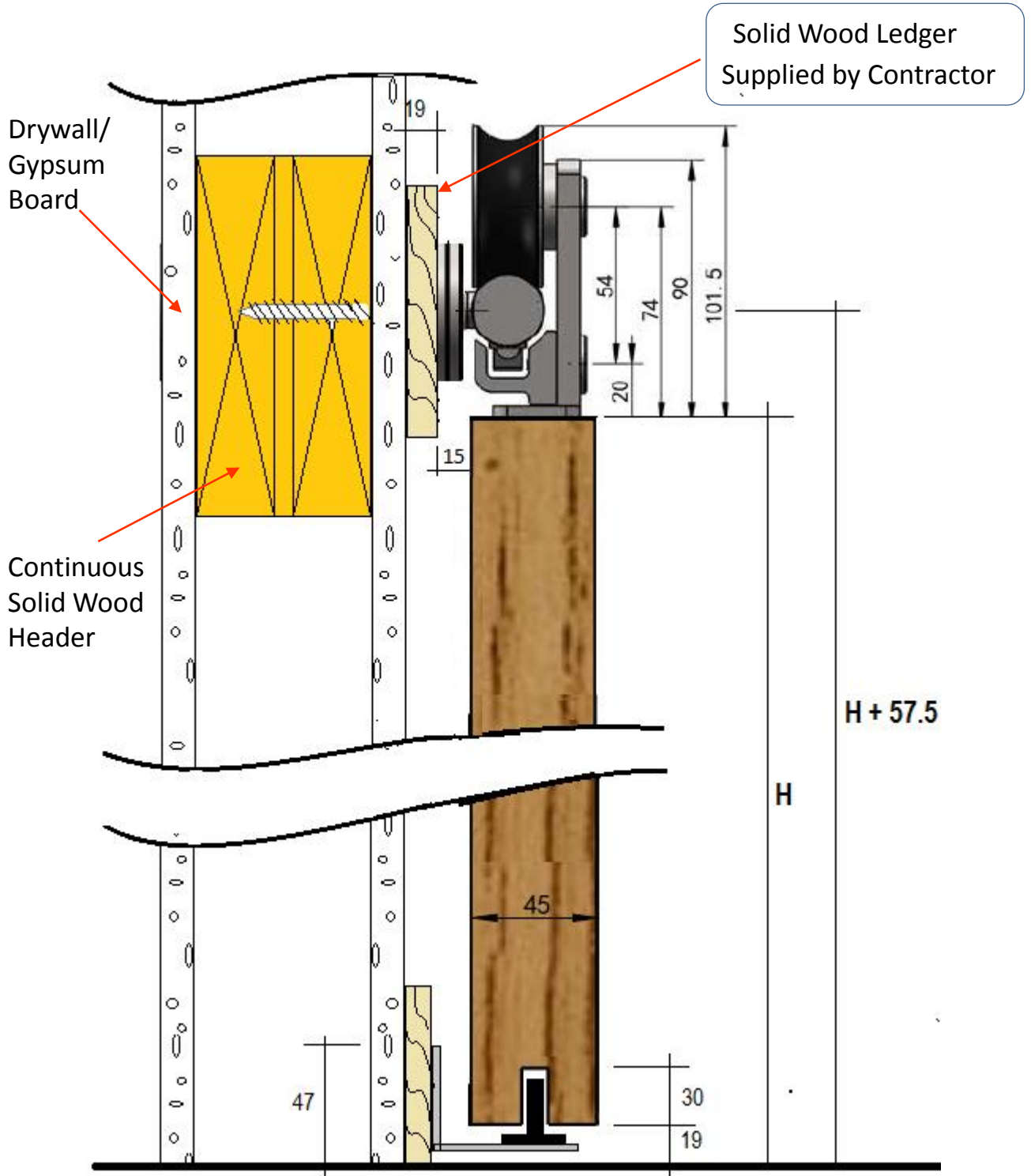
3mm x 38mm
12mm x 38mm



Drill 38mm (1-1/2") hole in
drywall/gypsum board and
Insert disc(s) to appropriate
thickness

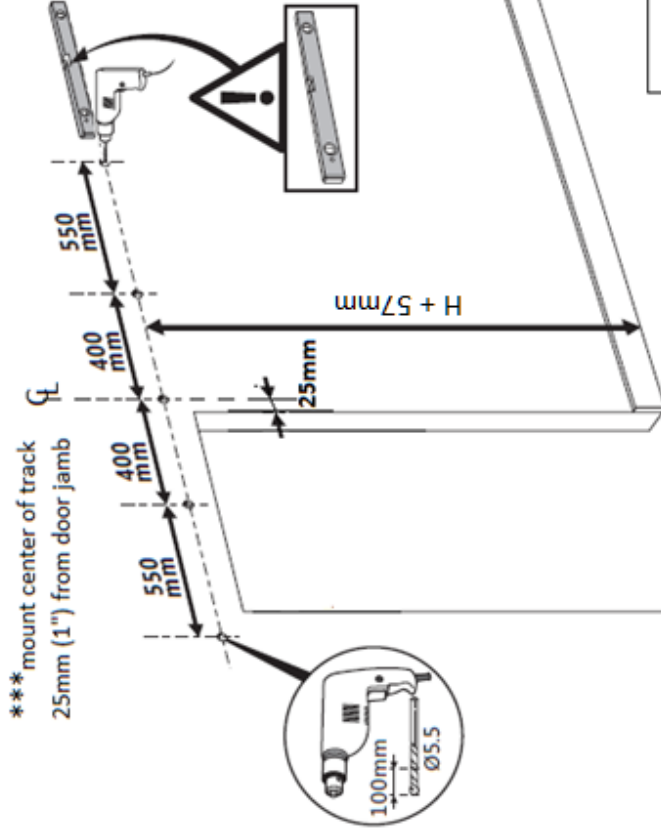


APPLICATION: MOUNTING TRACK USING SOLID WOOD LEDGER BOARD

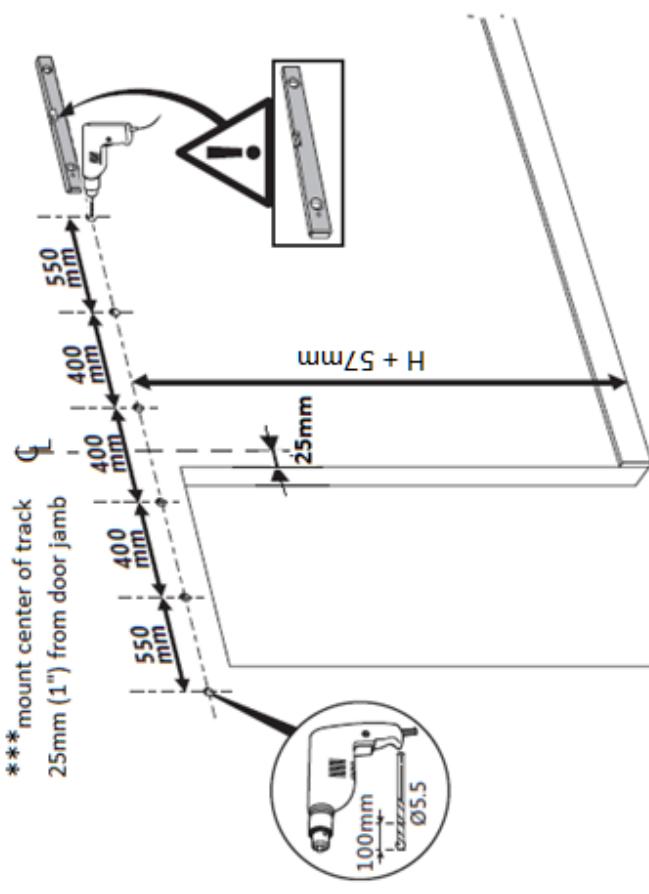


TRACK MOUNTING

Track Mounting for 2.0 meter (78") track

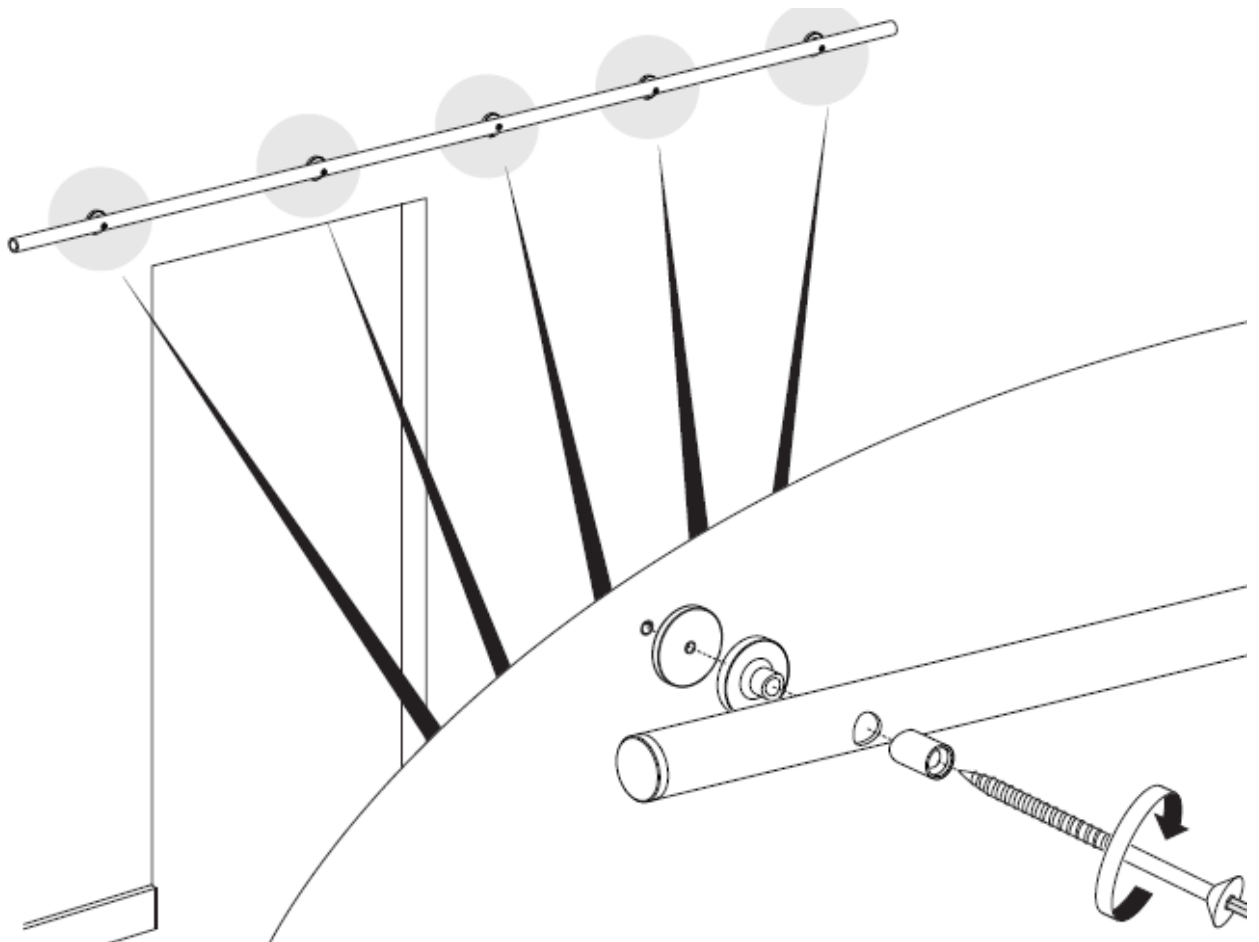


Track Mounting for 2.4 meter (94 1/2") track



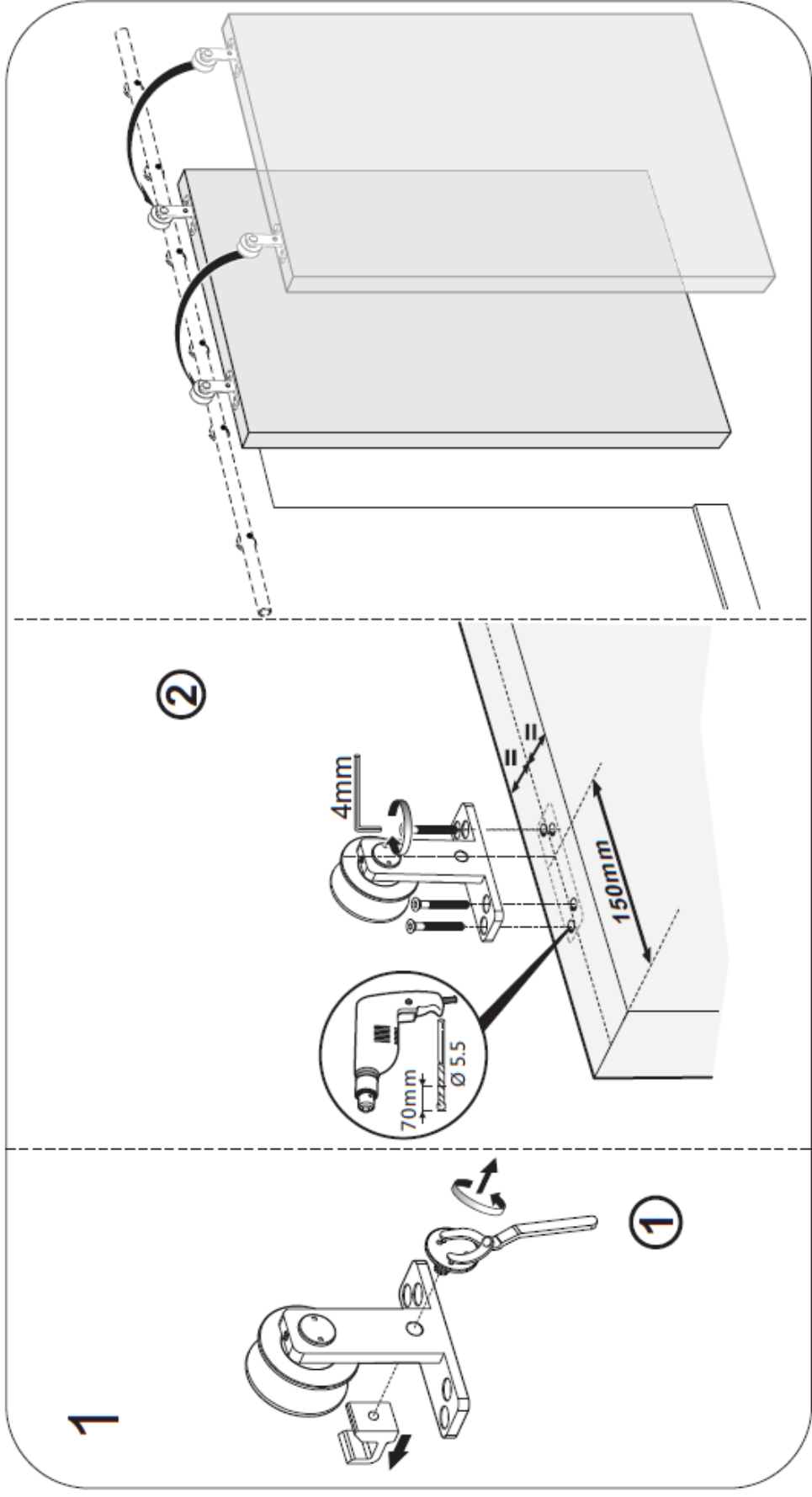
Wear Safety Glasses

TRACK MOUNTING



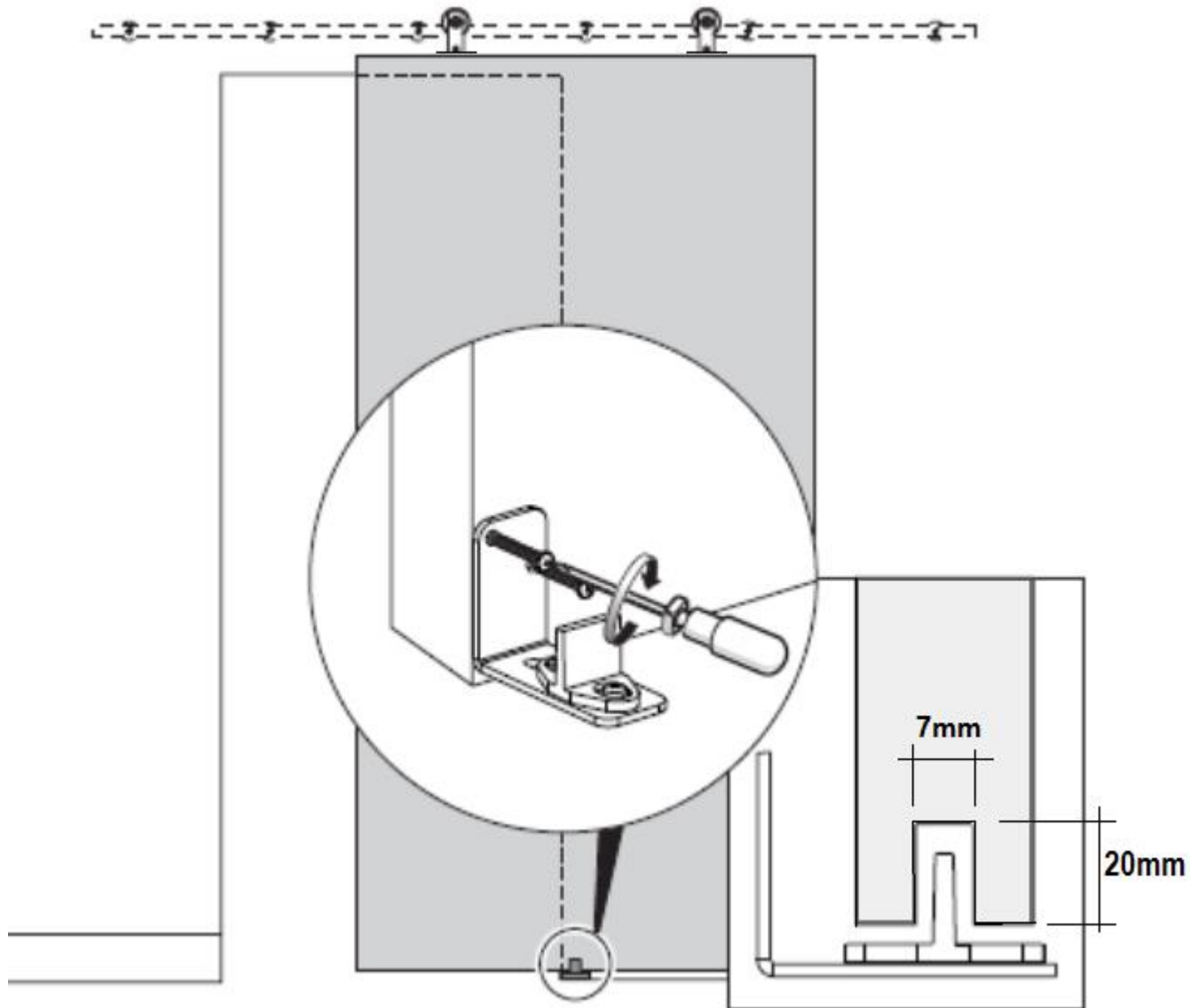
Do not install directly onto drywall or other hollow wall. Such surfaces are not strong enough to support the total active weight of the rail and door. Every fastener used to attach the rail to the wall must be fastened securely into a structural surface.

INSTALL TROLLEYS, REMOVE ANTI-DERAILERS & HANG DOOR

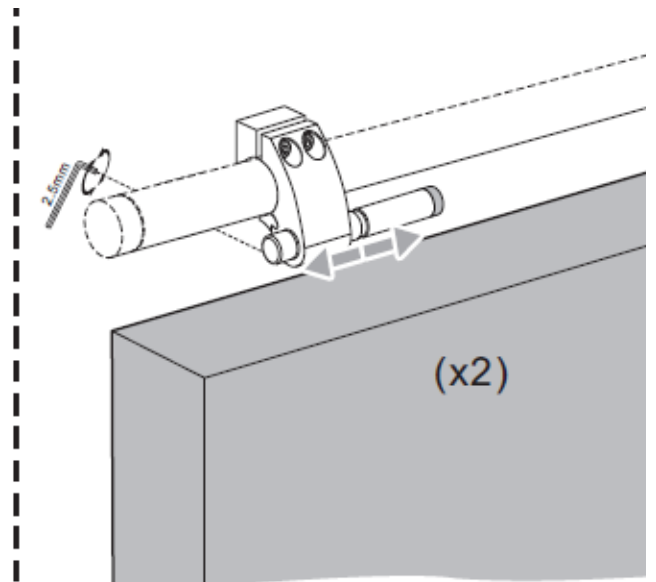
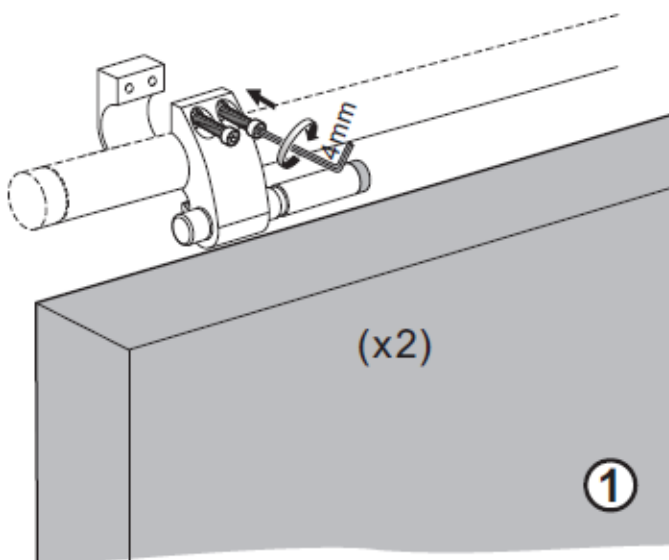
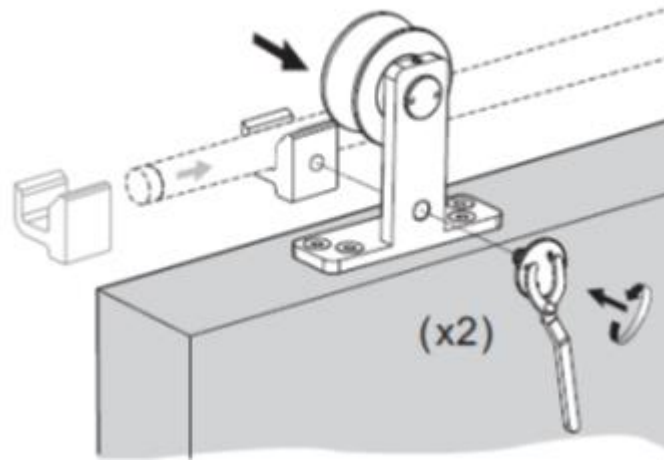


Before mounting the upper trolleys on to the track remove all dust and debris from the track and trolleys. Use a dry cloth, see page 15 for more information.

INSTALL BOTTOM DOOR GUIDE

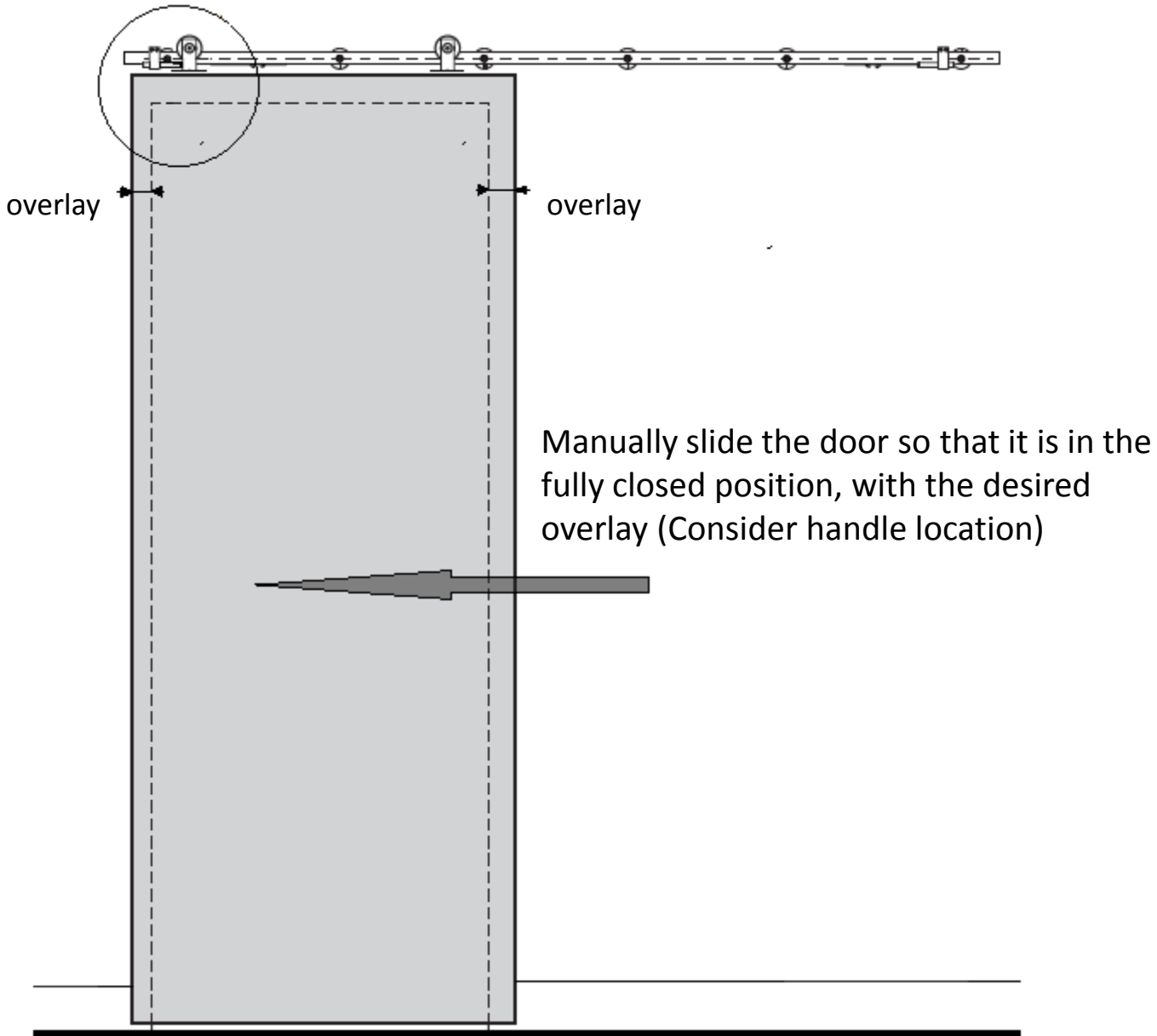


INSTALL ANTI-DERAILERS & STOPPERS

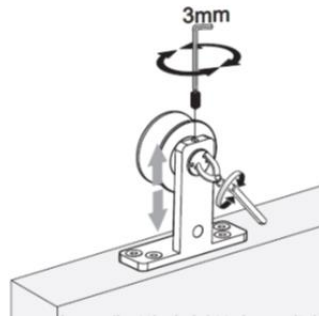


PREPARATION TO INSTALL SOFT CLOSE ACTIVATORS

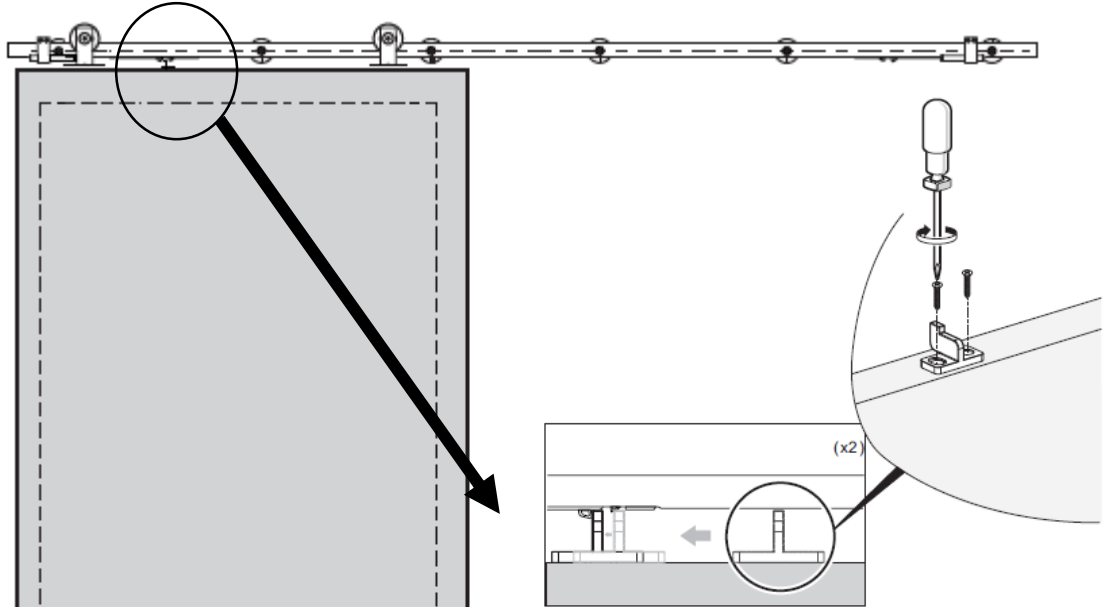
Temporarily secure the track stopper against the trolley in this position



INSTALL SOFT CLOSE ACTIVATORS



Here adjust the height to suitable position via roller screw, so that the trigger can push and pull the soft close mechanism

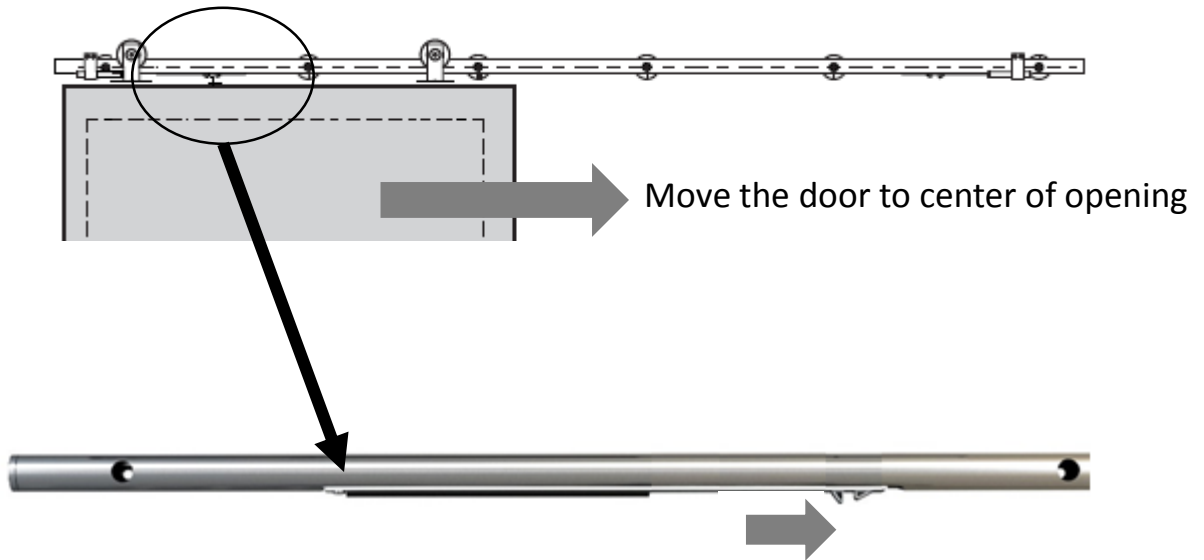


Position actuator into the soft close mechanism with the door fully closed. Mark location of actuator on the door.

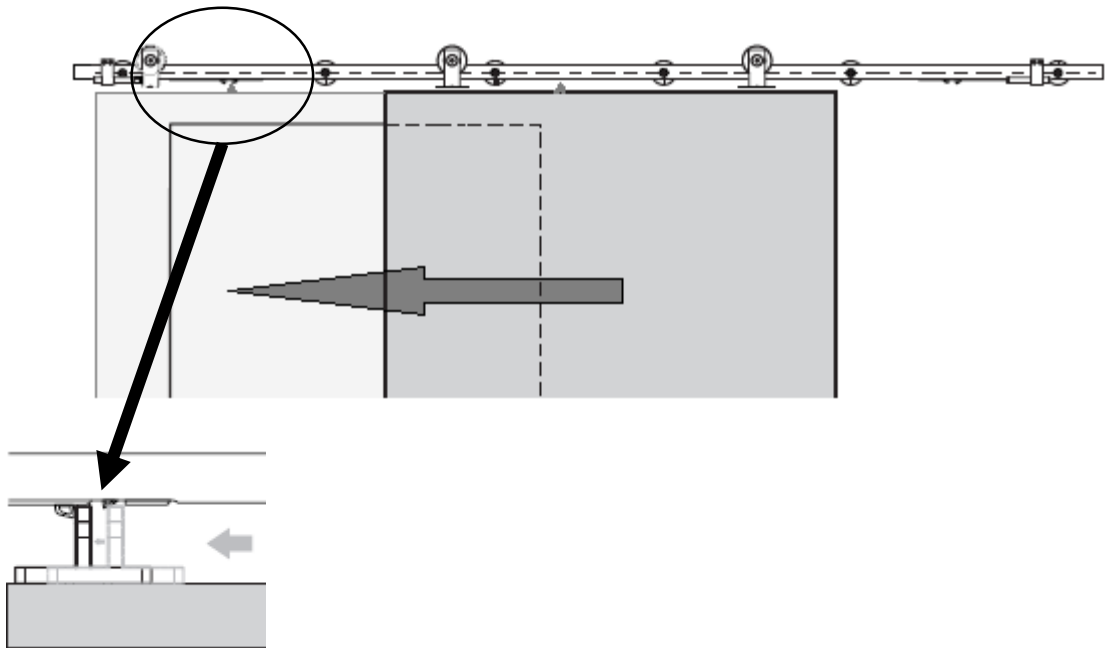
Repeat this step with the door in the open position, against the track stopper.

Move the door towards the center of the opening and attach actuators as marked. (please pre-drill)

INSTALL SOFT CLOSE ACTIVATORS

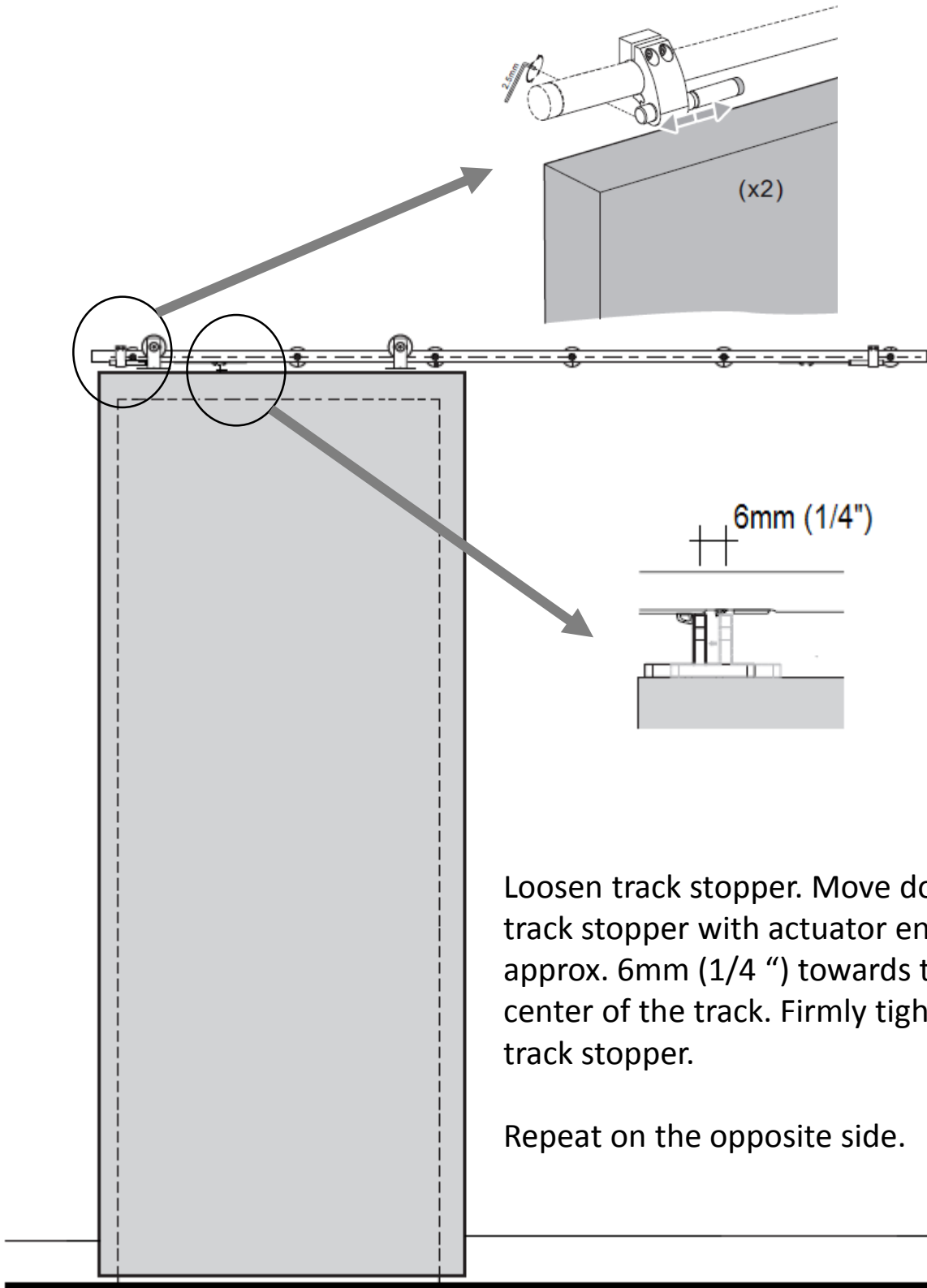


Charge the soft close mechanism by manually pushing the tabs towards the center of the opening until it locks itself to a stop (you will feel resistance)



Slide door gently to the left so that it engages with the soft close and fully cycles.

FINAL TUNING: ADJUST TRACK STOPPER



General Maintenance and Care

Keep the track and trolleys clear of dust and debris.

If the surface is wet, use a dry soft cloth and wipe dry.

Avoid using soap, grease, oils, abrasive and corrosive cleaners.

The trolleys do not require lubrication.