

# ALBERGO TM – MOUNTING INSTRUCTIONS



## Hardware set for 1 wood door

Item no. 89TY032170

Includes:

Trolleys

Stoppers (left & right)

Wall/Floor guide

Hex Keys

Spanner Wrench



## TECHNICAL DATA

Door Thickness: 35 to 45mm (1 3/8" – 1 3/4")

Weight Capacity per Door: max. 80 kg (176 lbs)

Trolley Type: Ball Bearing

Track & Hardware Finish: Stainless Steel

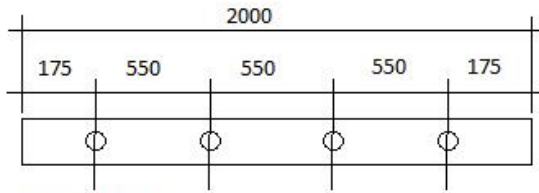
## NOTES

The ALBERGO sliding systems is designed for interior use only.

The finish is not guaranteed in exterior applications, marine and polluted environments.

The intention for this document is to provide a guide for installation and assembly. The Contractor is responsible to determine what is best for the application.

## 2.0 meter Track Set



Technical Data



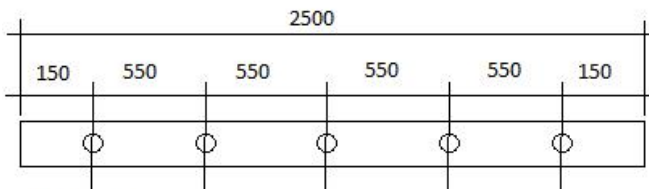
### **Item no. 89TY030170**

2.0m (78 3/4") Track set with  
4 mounts & spacers

Includes:

- 1) 2.0M (78 3/4")  
Pre-Drilled Round Track
- 4) Wall Mount Stand-offs
- 4) 6 & 12mm x 50mm Shims
- 4) 3 & 12 mm x 38mm  
Wall Support Discs
- 4) 130mm (5 1/8")  
fastener screws and collars

## 2.5 meter Track Set



Technical Data



### **Item no. 89TY030170**

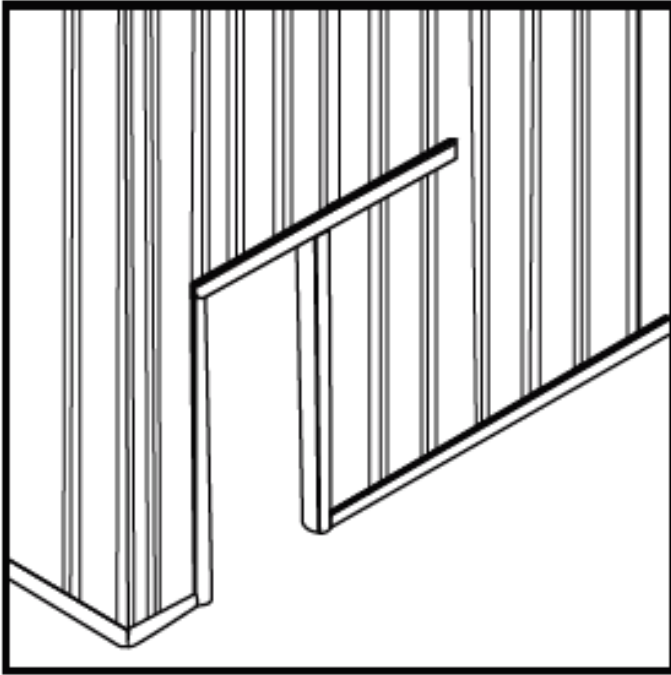
2.5m (98 3/8") Track set with  
5 mounts & spacers

Includes:

- 1) 2.5M (98 3/8")  
Pre-Drilled Round Track
- 5) Wall Mount Stand-offs
- 5) 6 & 12mm x 50mm Shims
- 5) 3 & 12 mm x 38mm  
Wall Support Discs
- 5) 130mm (5 1/8")  
fastener screws and collars

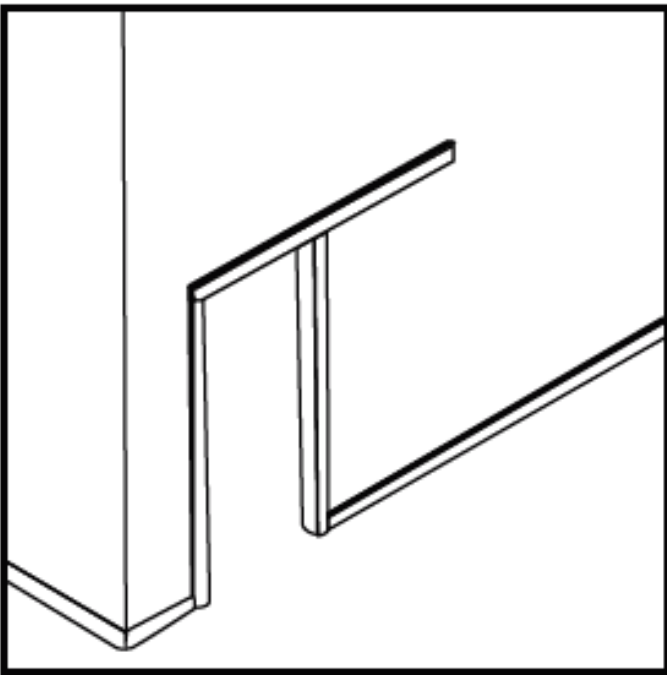
## WALL PREPARATION:

Track **MUST** be securely mounted to solid blocking



### New Construction:

- Add a 2x8 minimum solid wood header for entire length of the Track/Rail
- Validate with Local Building Code



### Existing Construction:

- Continuous Solid Wood Blocking must be installed along the entire length of the Track/Rail
- Validate with Local Building Code

# APPLICATION: MOUNTING TRACK USING WALL SUPPORT DISCS

Drywall/gypsum  
Board or sheetrock

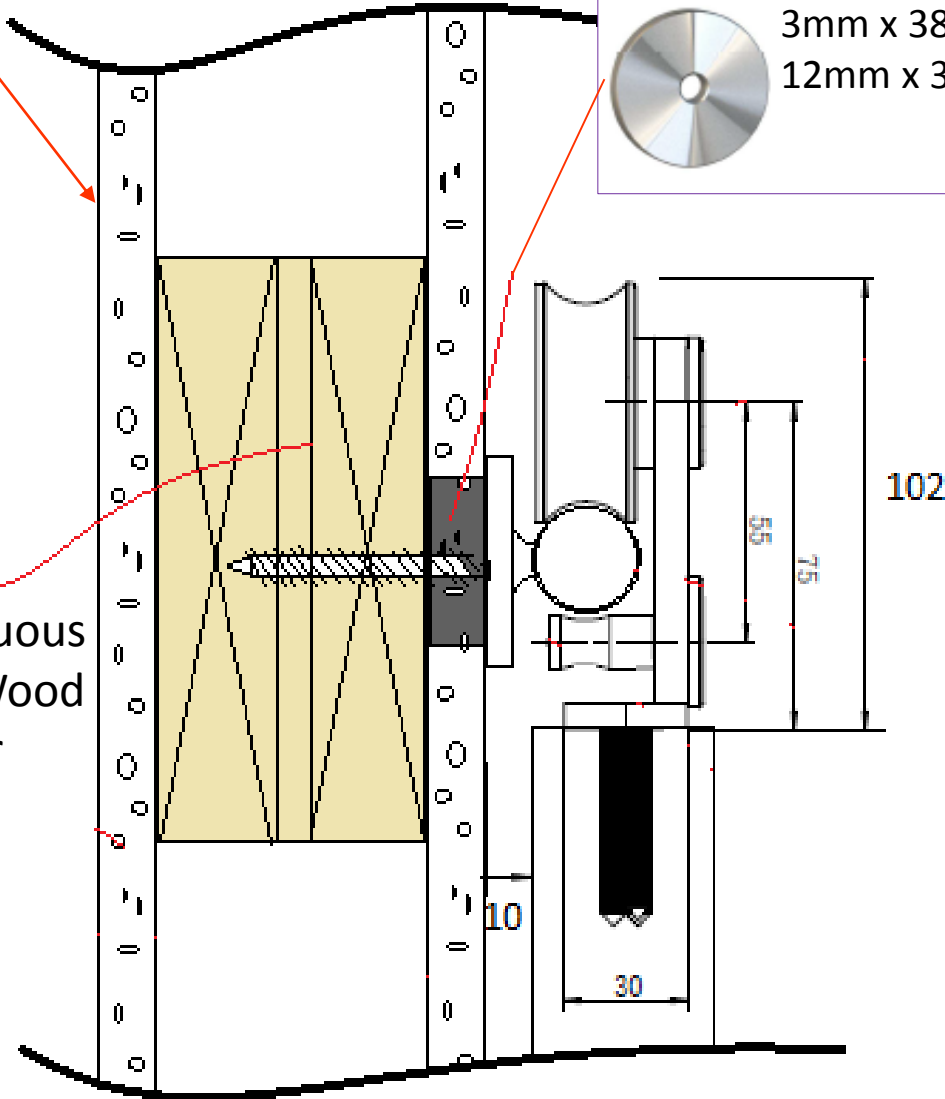
Continuous  
Solid Wood  
Header



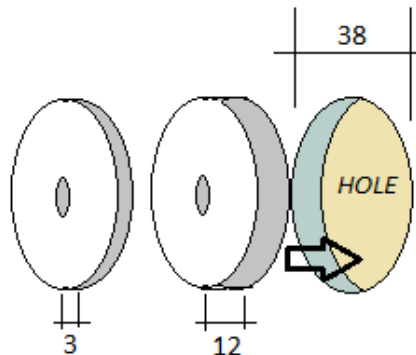
**Item no. 89TY030170**  
Internal Wall Support Set



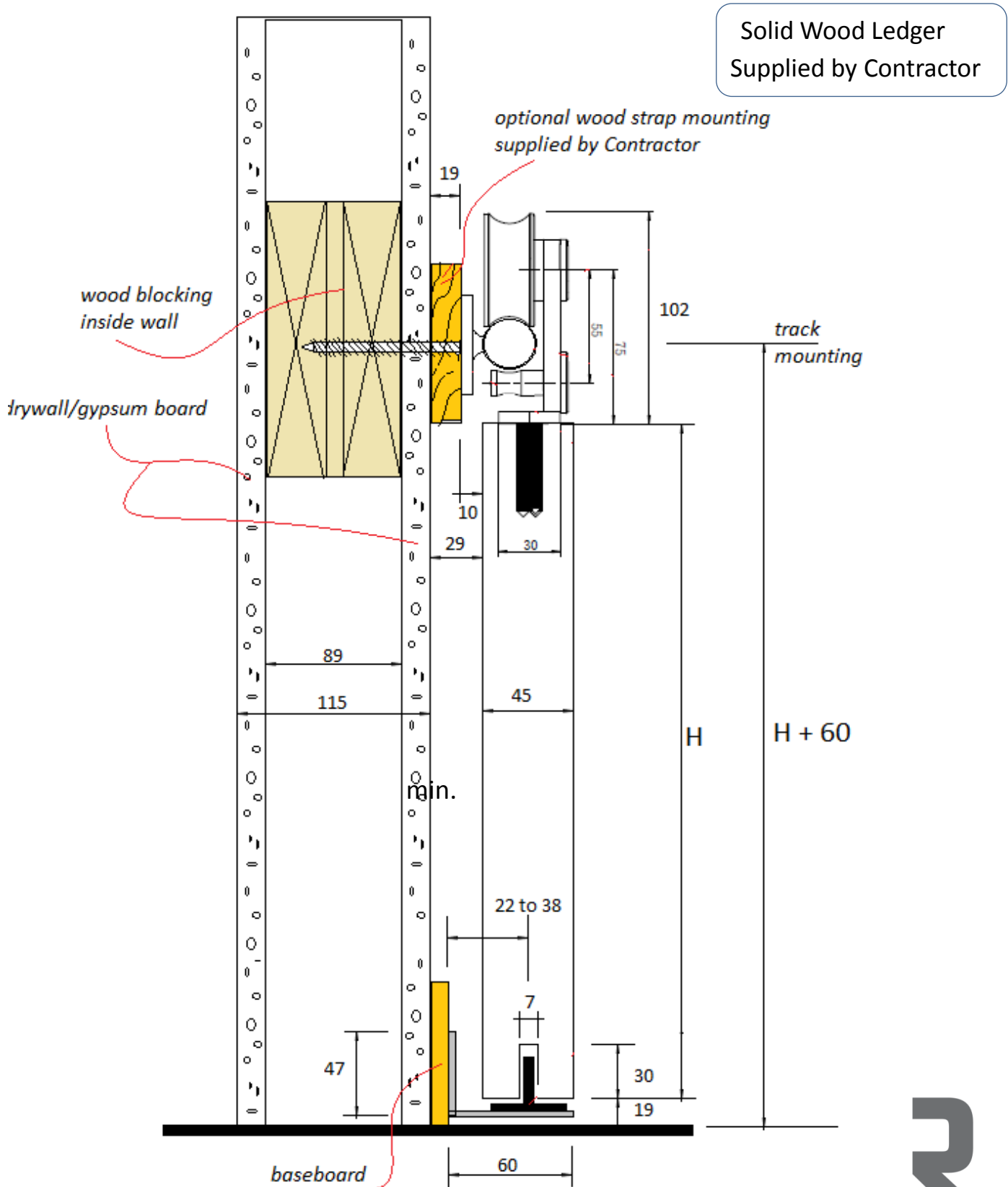
3mm x 38mm  
12mm x 38mm



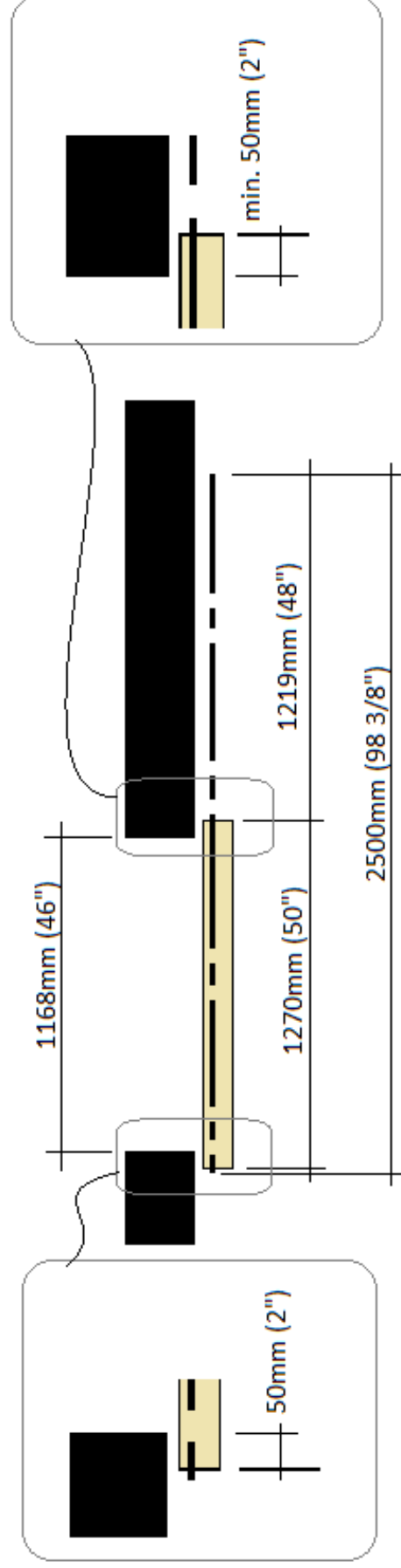
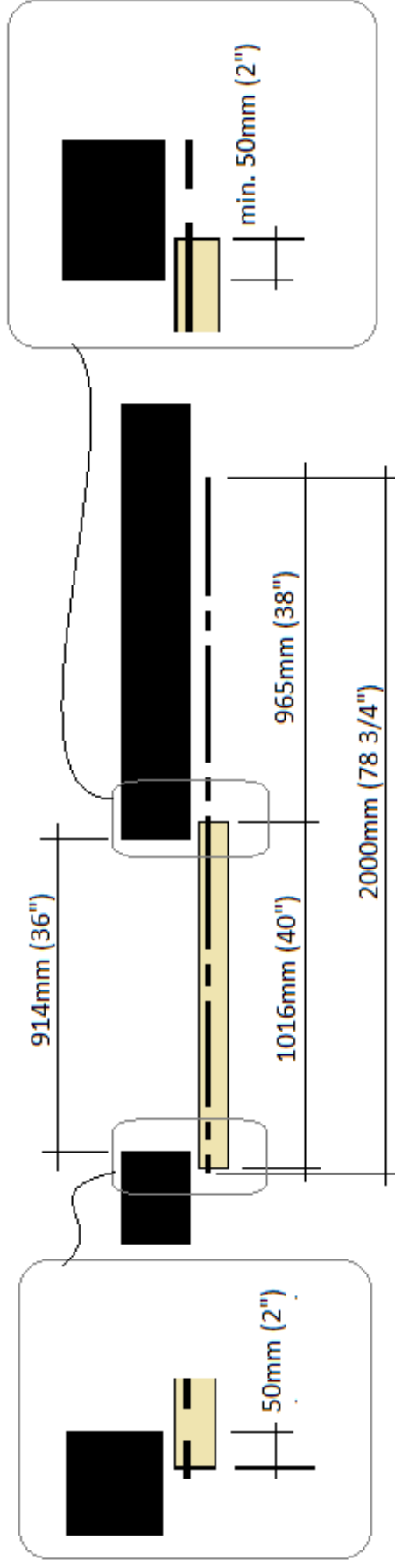
Drill 38mm (1-1/2") hole in  
drywall/gypsum board and  
Insert disc(s) to appropriate  
sheetrock thickness



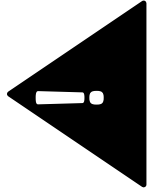
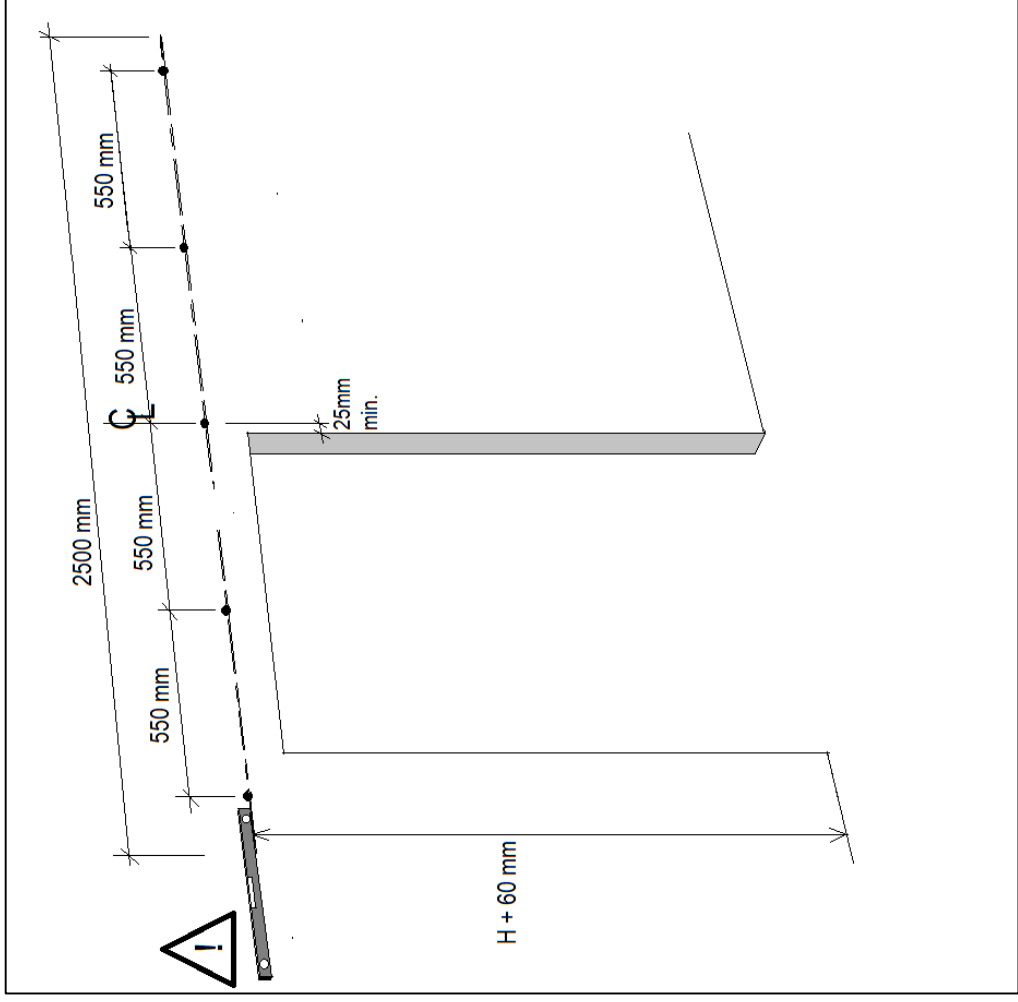
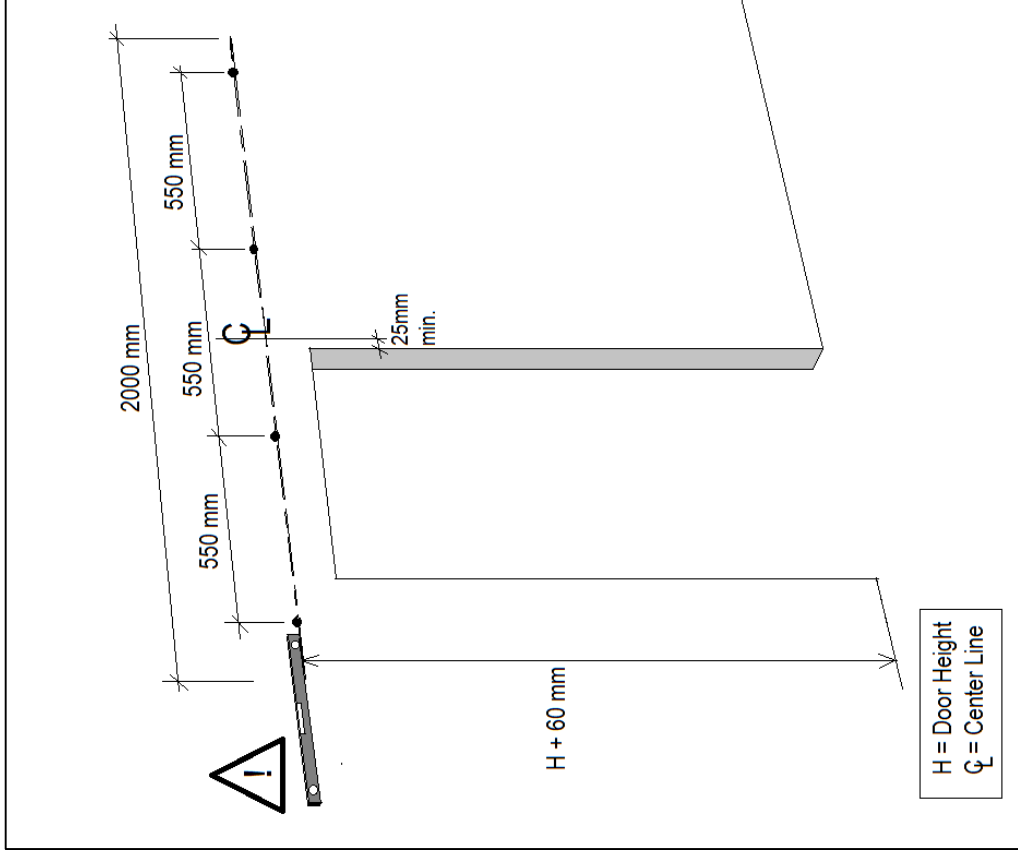
# APPLICATION: MOUNTING TRACK USING SOLID WOOD LEDGER BOARD



# PLAN VIEW - DOOR WIDTH EXAMPLES

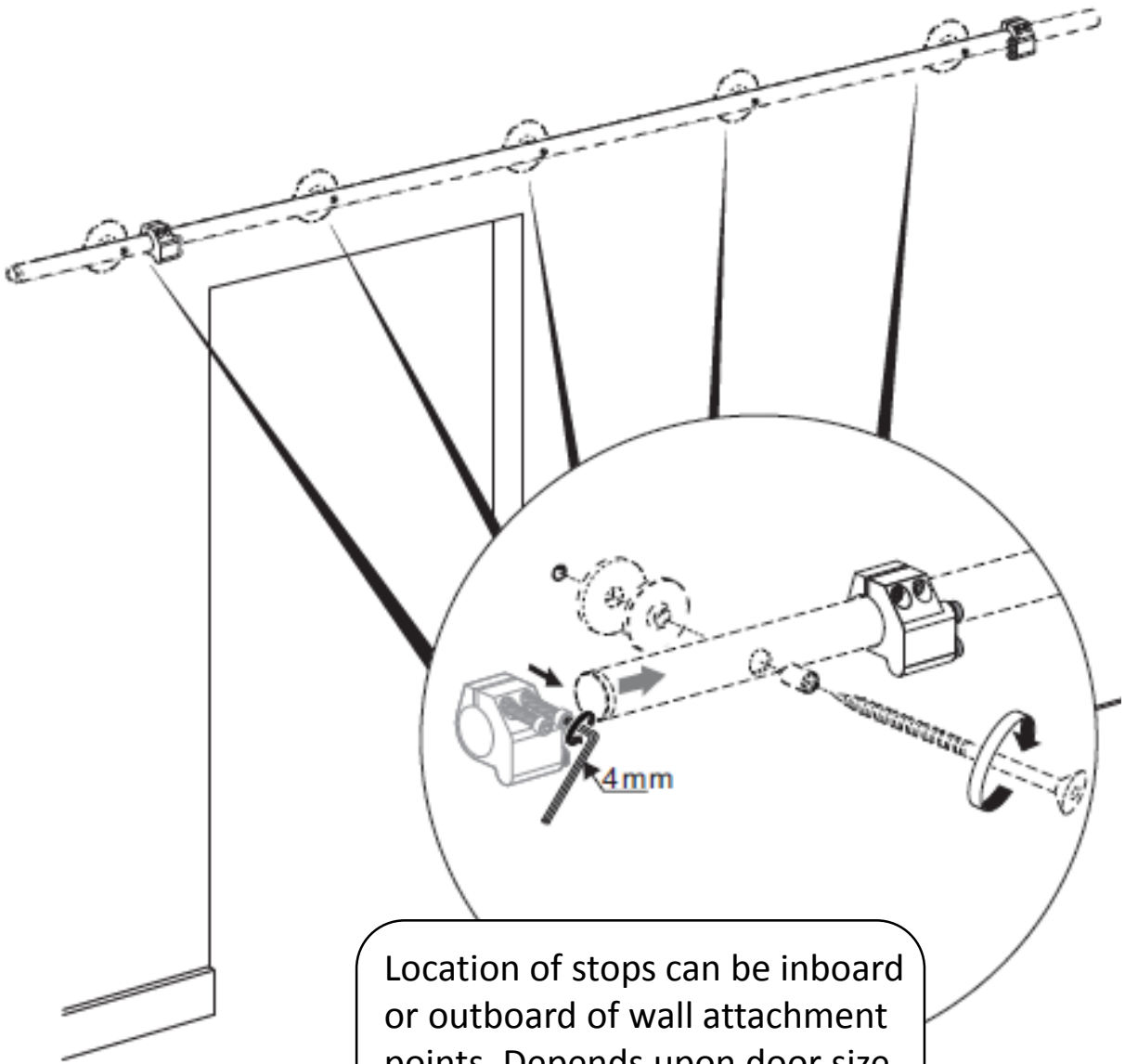


# TRACK MOUNTING



Wear Safety Glasses

# TRACK MOUNTING



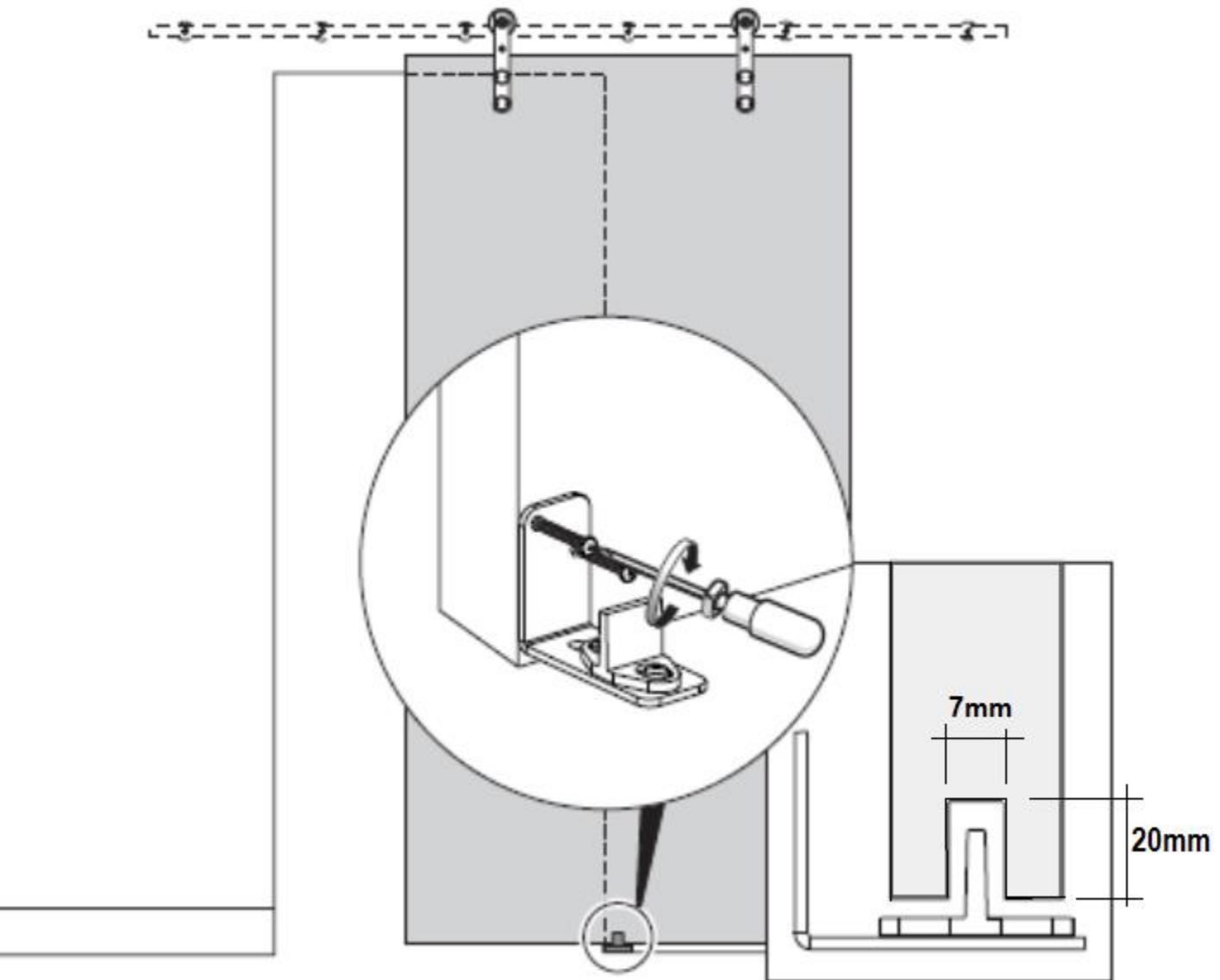
Location of stops can be inboard or outboard of wall attachment points. Depends upon door size and final stop locations to obtain the desired door overlay.



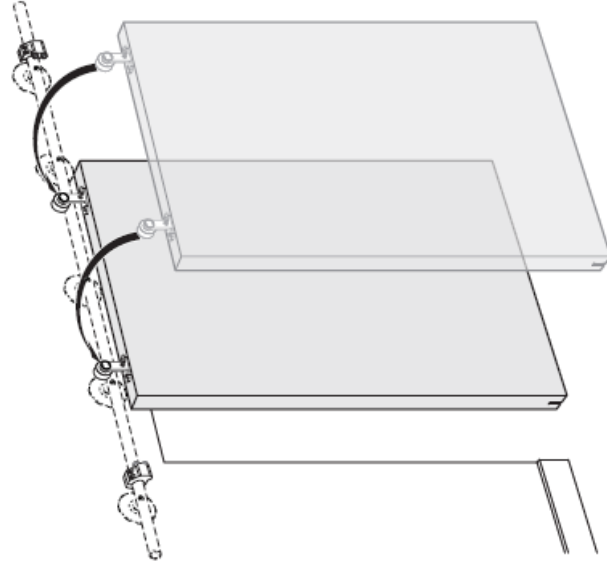
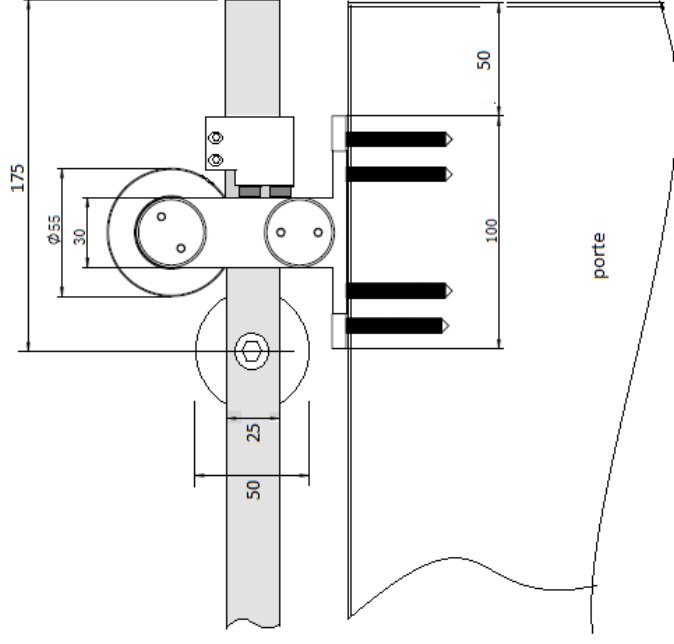
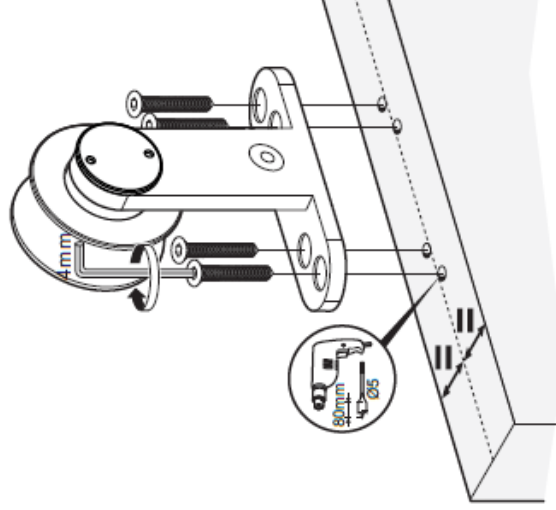
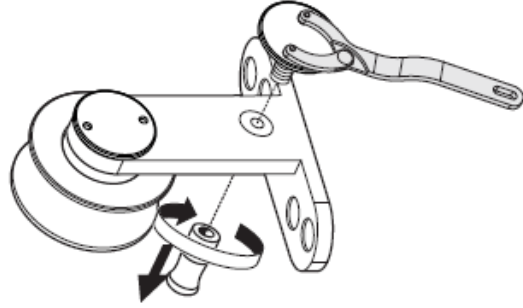
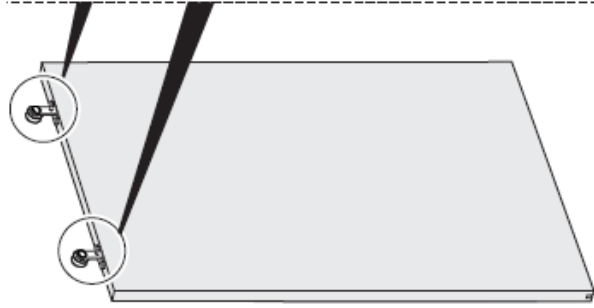
Do not install directly onto drywall or other hollow wall. Such surfaces are not strong enough to support the total active weight of the rail and door. Every fastener used to attach the rail to the wall must be fastened securely into a structural surface.



# INSTALL BOTTOM DOOR GUIDE

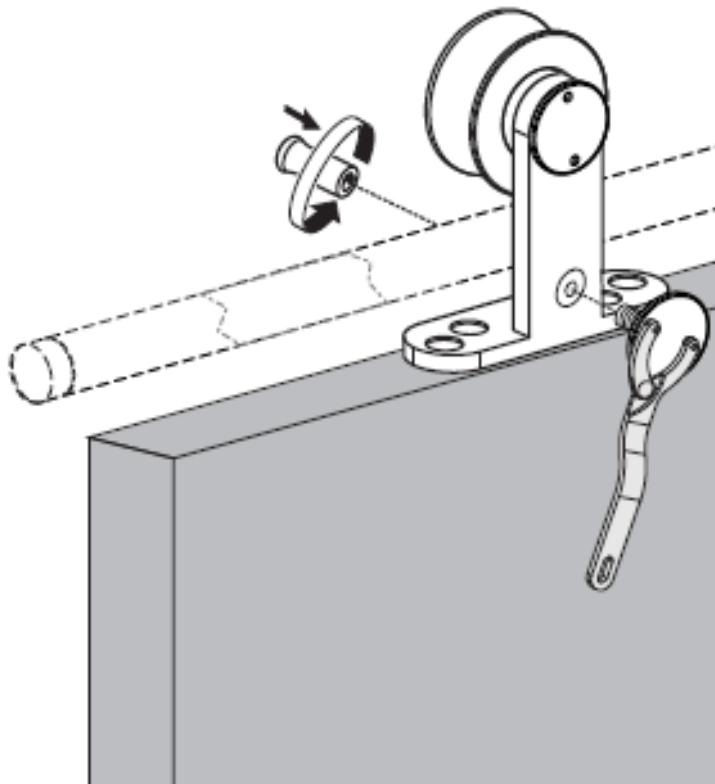
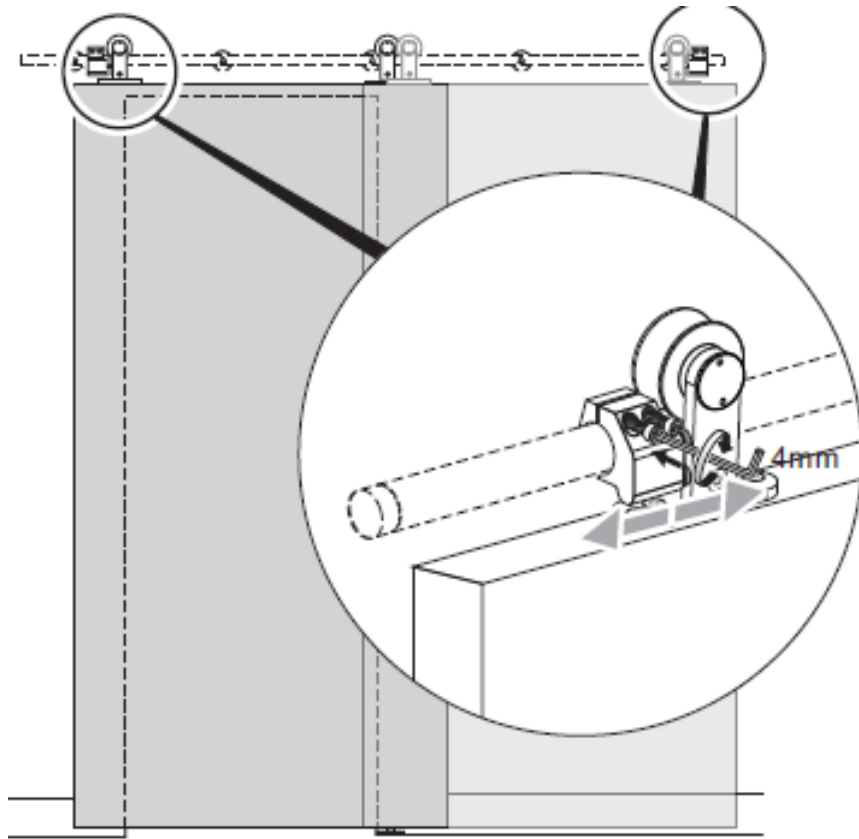


# REMOVE ANTI-DERAIL PIN & INSTALL TROLLEY



- Remove anti-derailing pin and hang the door
- Before mounting the upper trolleys on to the track remove all dust and debris from the track and trolleys. Use a dry cloth, see page 12 for more information.

# ADJUST TRACK STOPPER (FOR OVERLAY) & REINSTALL ANTI-DERAIL PIN



## General Maintenance and Care

Keep the track and trolleys clear of dust and debris.

If the surface is wet, use a dry soft cloth and wipe dry.

Avoid using soap, grease, oils, abrasive and corrosive cleaners.

The trolleys do not require lubrication.